

# Vacuum and Pressure Feedthroughs



Fiberguide's Vacuum and Feed-Throughs are designed to allow optical fibers to penetrate a pressure vessel without compromising the integrity of the vacuum. These can be configured as stand-alone feed-throughs, as shown in the spec sheet below, or integrated into cable assemblies as needed. These are ideal for laser power delivery or optical sensing applications that must be conducted in a pressure or vacuum chamber.

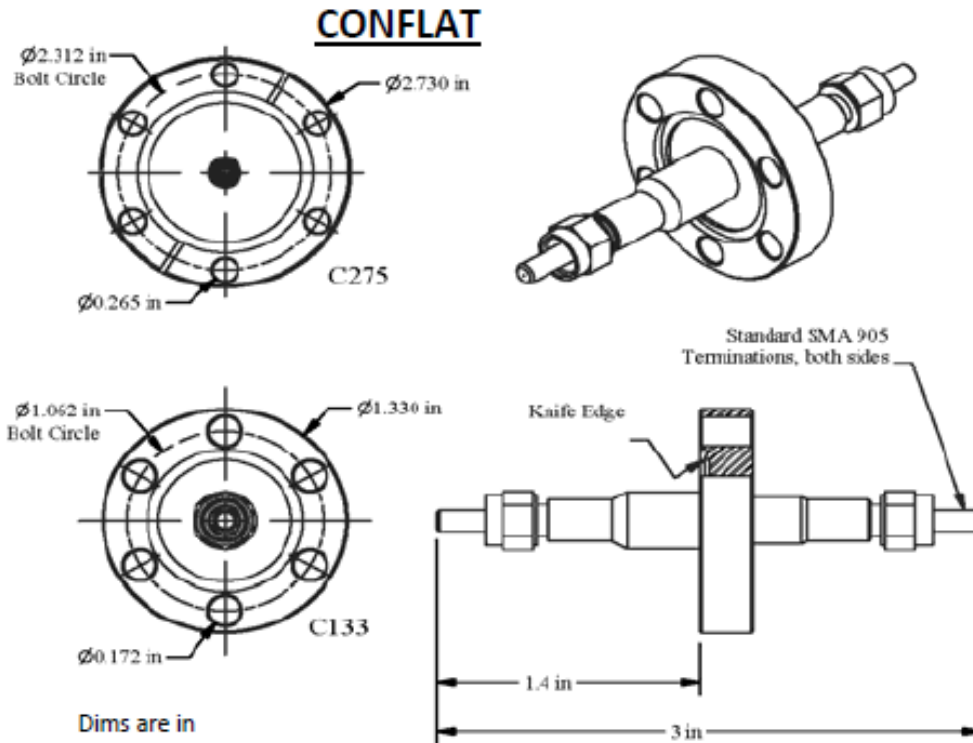
## STANDARD SPECIFICATIONS

- Fiber Type: Step Index Multimode
- Core Sizes: 200 $\mu$ m, 400 $\mu$ m, 600 $\mu$ m
- Wavelengths: Standard OH: UV - Vis: 190nm – 1250nm / Low OH: Vis - IR: 300nm – 2400nm
- Numerical Aperture (NA): 0.22
- Connector Options: SMA905
- Flange Options: Bolt Style, ConFlat Flange, ISO Klein Flange (KF)
- Bulkhead Temperature Range: -40°C to +125°C / -40°F to +257°F
- Vacuum Rating: 1 X 10<sup>-9</sup> Torr

## OPTIONAL SPECIFICATIONS

- Pigtail configurations
- Bundle Configurations
- Alternate Connectors
- Alternate Fiber Types
- High / Low Temperature

# Vacuum and Pressure Feedthroughs

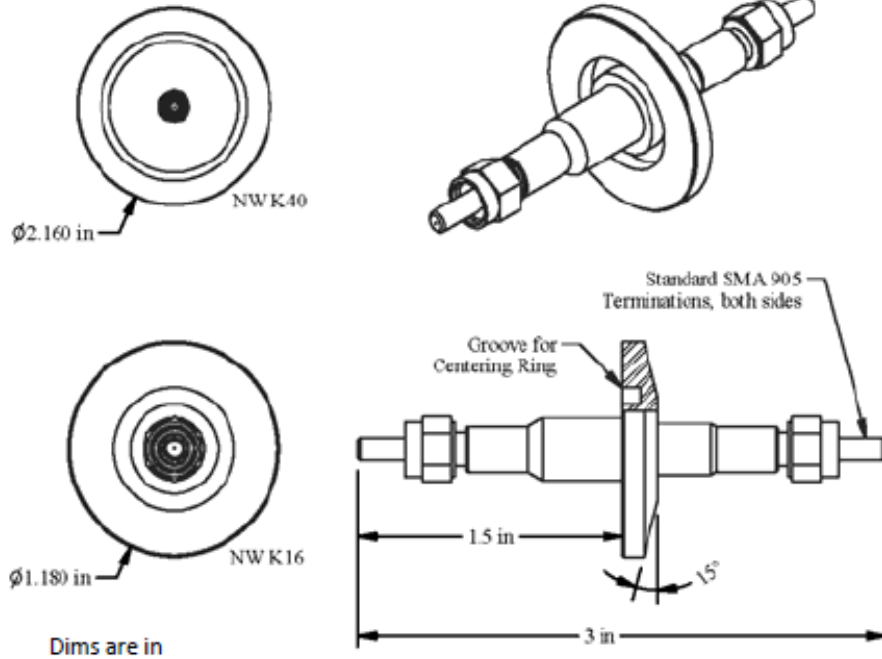


1.33" Con-Flat	
Part Number	Description
VFT-200-UV-C133	200µm, 1.33" Con-flat, UV
VFT-200-NIR-C133	200µm, 1.33" Con-flat, NIR
VFT-400-UV-C133	400µm, 1.33" Con-flat, UV
VFT-400-NIR-C133	400µm, 1.33" Con-flat, NIR
VFT-600-UV-C133	600µm, 1.33" Con-flat, UV
VFT-600-NIR-C133	600µm, 1.33" Con-flat, NIR

2.75" Con-Flat	
Part Number	Description
VFT-200-UV-C275	200µm, 2.75" Con-flat, UV
VFT-200-NIR-C275	200µm, 2.75" Con-flat, NIR
VFT-400-UV-C275	400µm, 2.75" Con-flat, UV
VFT-400-NIR-C275	400µm, 2.75" Con-flat, NIR
VFT-600-UV-C275	600µm, 2.75" Con-flat, UV
VFT-600-NIR-C275	600µm, 2.75" Con-flat, NIR

# Vacuum and Pressure Feedthroughs

## ISO FLANGE

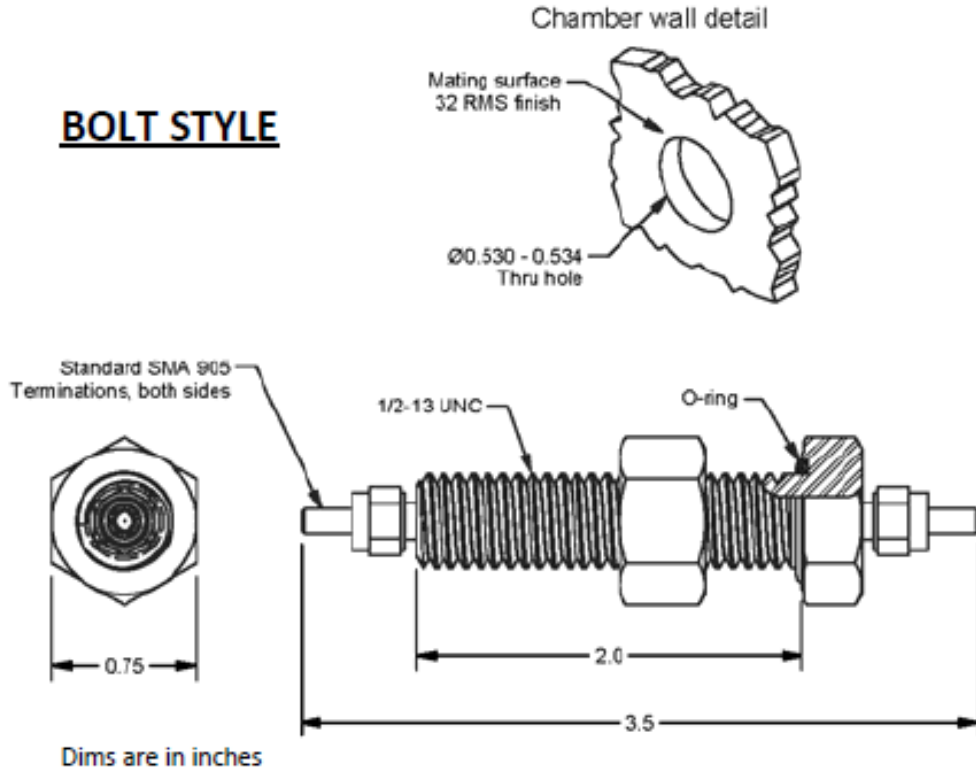


K16 ISO	
Part Number	Description
VFT-200-UV-K16	200µm, K16 ISO Con-flat, UV
VFT-200-NIR-K16	200µm, K16 ISO Con-flat, NIR
VFT-400-UV-K16	400µm, K16 ISO Con-flat, UV
VFT-400-NIR-K16	400µm, K16 ISO Con-flat, NIR
VFT-600-UV-K16	600µm, K16 ISO Con-flat, UV
VFT-600-NIR-K16	600µm, K16 ISO Con-flat, NIR

K40 ISO	
Part Number	Description
VFT-200-UV-K40	200µm, K40 ISO Con-flat, UV
VFT-200-NIR-K40	200µm, K40 ISO Con-flat, NIR
VFT-400-UV-K40	400µm, K40 ISO Con-flat, UV
VFT-400-NIR-K40	400µm, K40 ISO Con-flat, NIR
VFT-600-UV-K40	600µm, K40 ISO Con-flat, UV
VFT-600-NIR-K40	600µm, K40 ISO Con-flat, NIR

# Vacuum and Pressure Feedthroughs

## BOLT STYLE



Bolt Style Feedthrough	
Part Number	Description
VFT-200-UV-B500	200μm, Bolt Style, UV
VFT-200-NIR-B500	200μm, Bolt Style, NIR
VFT-400-UV-B500	400μm, Bolt Style, UV
VFT-400-NIR-B500	400μm, Bolt Style, NIR
VFT-600-UV-B500	600μm, Bolt Style, UV
VFT-600-NIR-B500	600μm, Bolt Style, NIR